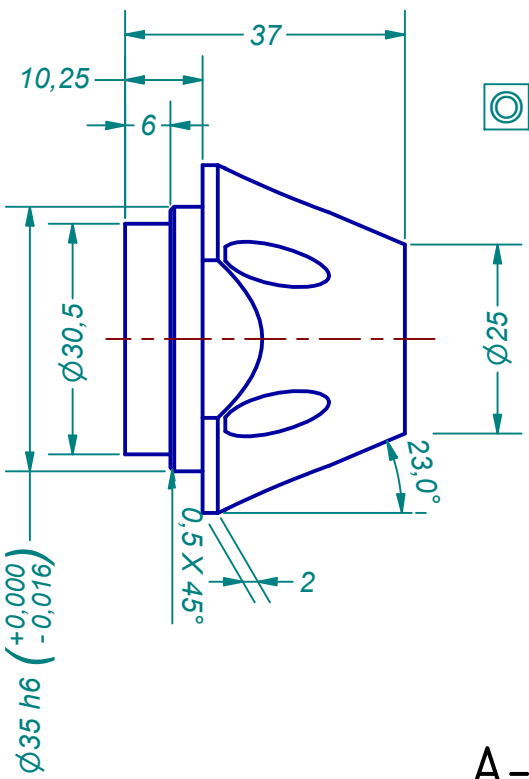
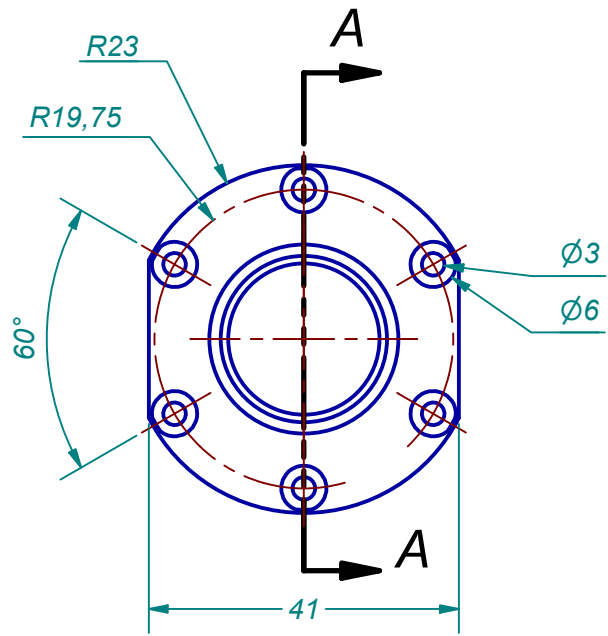
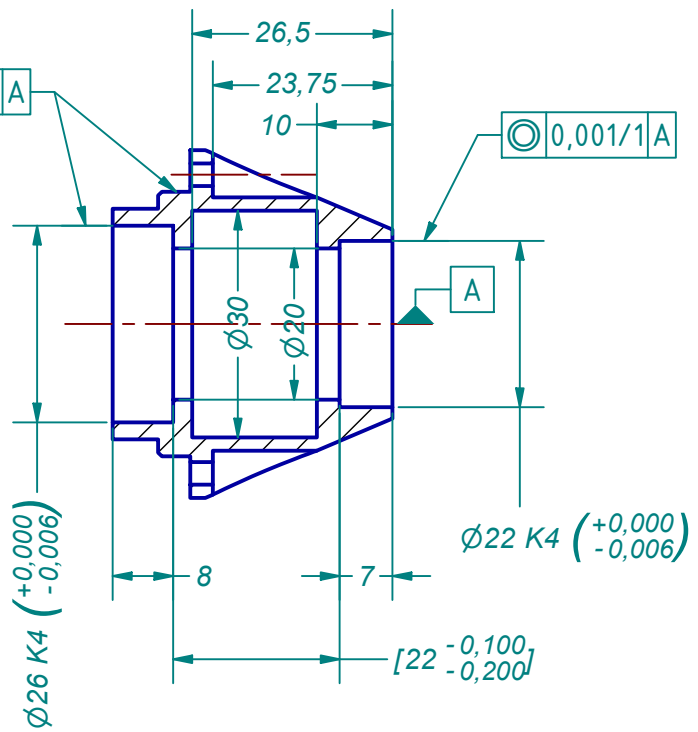


PARTS LIST			
PART NUMBER	DESCRIPTION	MATERIAL	MASS
2027-202	Front Bearing Case	EN AW 6082 T6	40,905 g



◎ 0,001/1 A



◎ 0,001/1 A

A-A

	Date	Name
Drawn	19.10.2024	Wolfgang
Checked	12.11.2024	wtr
Scale	1 : 1	

WT2027

WTENGINES
www.wtengines.com

Front Bearing Case

1
A4

The information contained in this drawing is the sole property of Wolfgang Trötscher any reproduction in part or whole without the written permission of Wolfgang Trötscher is prohibited