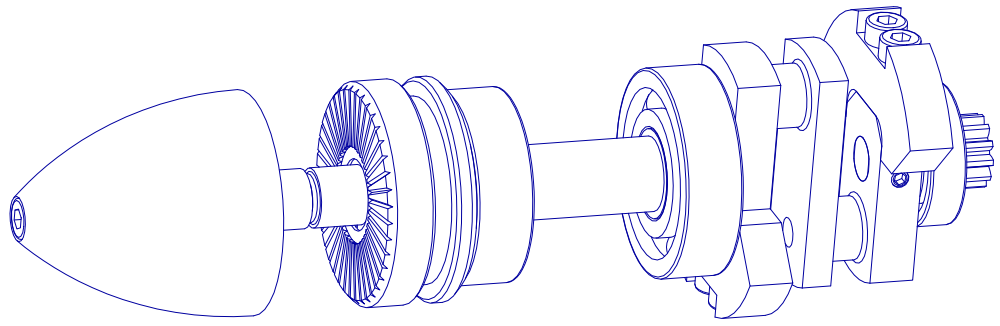
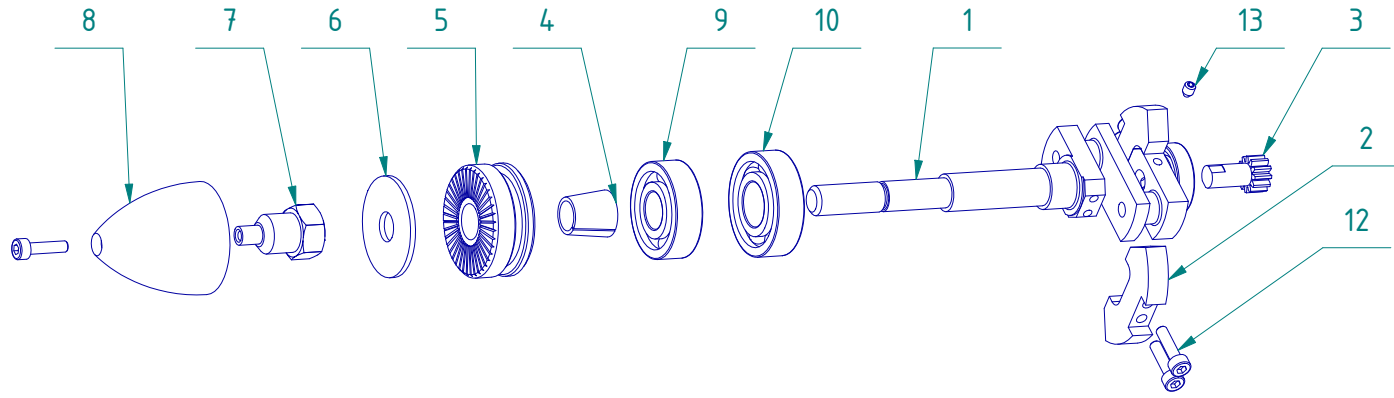


PARTS LIST

ITEM	QTY	PART NUMBER	DESCRIPTION	MATERIAL	MASS
1	1	2025-B2-101	Crank shaft / Kurbelwelle	34CrNiMo6 / SS2541M	87,615 g
2	2	2025-B2-102	Balancing weight / Ausgleichsgewicht	Steel, Mild	14,899 g
3	1	2025-B2-103	Drive sprocket/ Antriebsritzel	Steel, Mild	4,697 g
4	1	2025-B2-104	Clamping cone, Klemmkonus	Brass, Soft Yellow	4,974 g
5	1	2025-B2-105	Prop driver, Propellmitnehmer	EN AW 6082 T6	18,458 g
6	1	2025-B2-106	Washer, Scheibe	Steel	6,150 g
7	1	2025-B2-107	Prop nut, Propellermutter	Steel, Mild	10,145 g
8	1	2025-B2-108	Spinner	EN AW 7075 T6	136,261 g
9	1	BS 290 SKF - SKF 6000-2RS1	Deep groove ball bearings single row with two RS1 seals SKF	Steel, Mild	0,019 kg
10	1	%3% BS 290 - SKF 6001	Single row ball bearings	Steel, Mild	0,021 kg
11	1	%3% BS 290 - SKF 61800	Single row ball bearings	Steel, Mild	0,005 kg
12	5	DIN 912 - M3 x 12	Cylinder Head Cap Screw	Steel, Mild	0,001 kg
13	2	DIN 916 - M3 x 4	Hexagon Socket Set Screw	Steel, Mild	0,000 kg



	Date	Name
Drawn	11.11.2023	Wolfgang
Checked	14.01.2024	as build
Standard		

WTBOXER2025-B2

WTENGINES
www.wtengines.com

Crank assembly, Kurbelwelle
zusammen

1
A4

The information contained in this drawing is the sole property of Wolfgang Trötscher any reproduction in part or whole without the written permission of Wolfgang Trötscher is prohibited

A

B

C

D

E

F

G

H

1

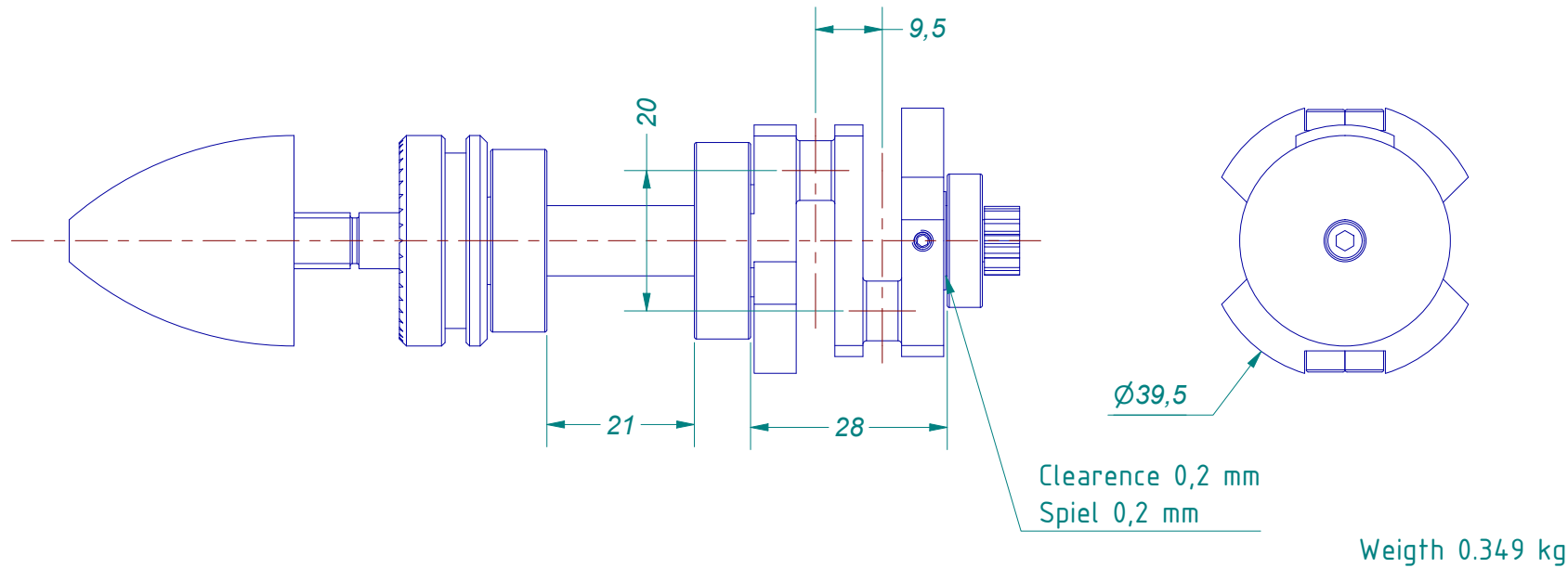
2

3

4

5

6



	Date	Name
Drawn	11.11.2023	Wolfgang
Checked	14.01.2024	as build
Standard		

WTBOXER2025-B2

WTENGINES
www.wtengines.com

Crank assembly, Kurbelwelle
zusammen

2

A4

The information contained in this drawing is the sole property of Wolfgang Trötscher any reproduction in part or whole without the written permission of Wolfgang Trötscher is prohibited