

	Date	Name
Drawn	02.03.2016	W. Trötscher
Checked	21.12.2017	wtr
As build	21.12.2017	wtr

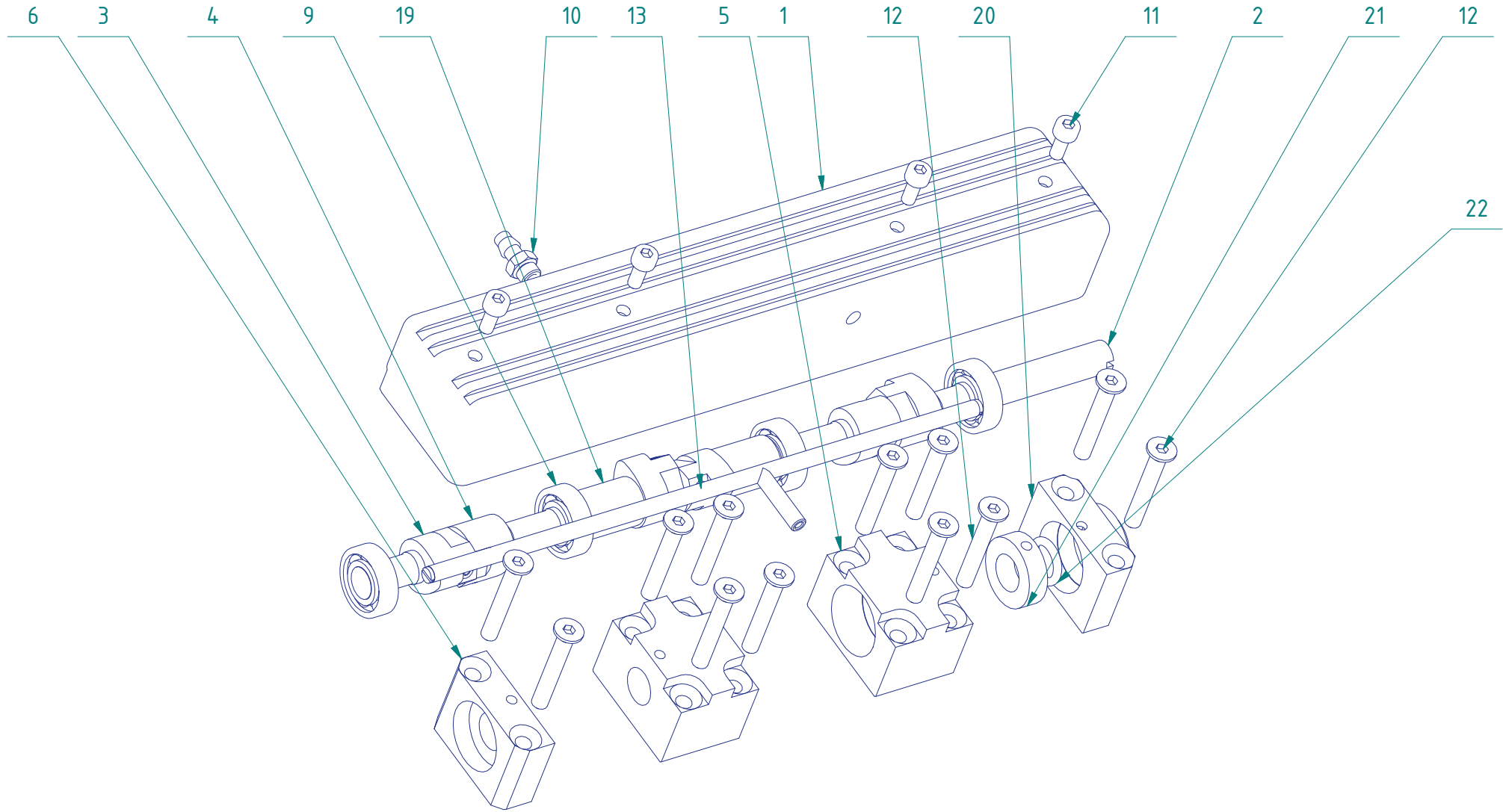
**6 CYLINDER V-ENGINE**  
**WT2727-V6-OHC**

2727_V6 Motor, omplett	Zusammenstellung / Assembly	4 / 4
		A3

Note copyrights. Do not make illegal copies.

A B C D E F G H

1  
2  
3  
4  
5  
6



	Date	Name
Drawn	24.10.2018	Wolfgang
Checked		
Standard		

**WT2727-V6-OHC**

**WTENGINES**  
www.wtengines.com

Cylinder bank assembly

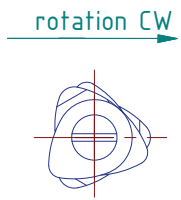
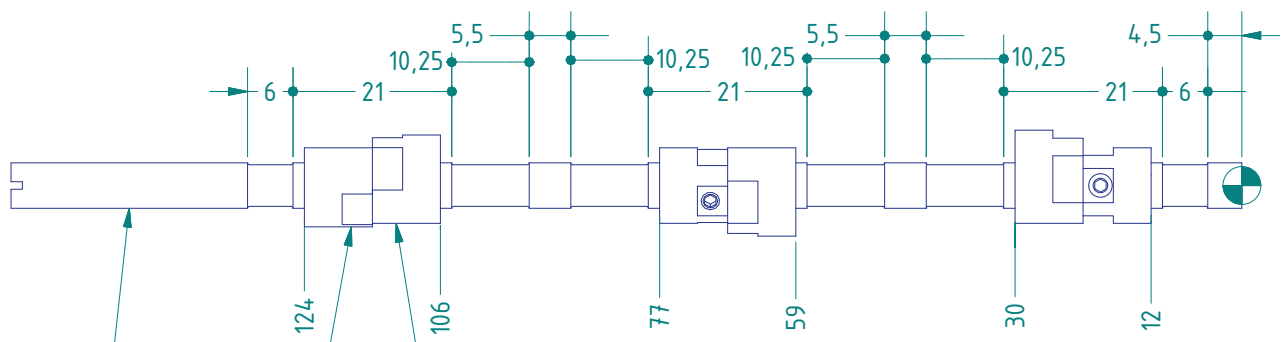
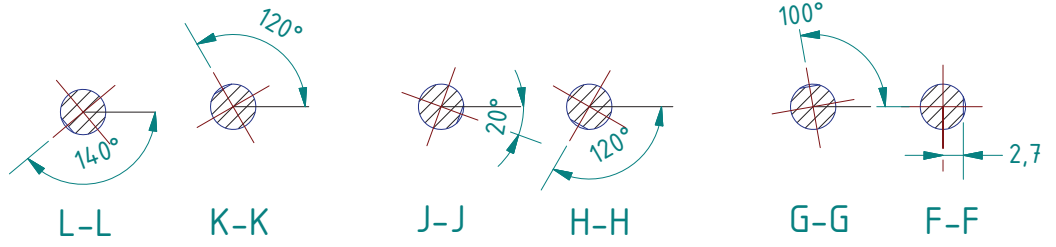
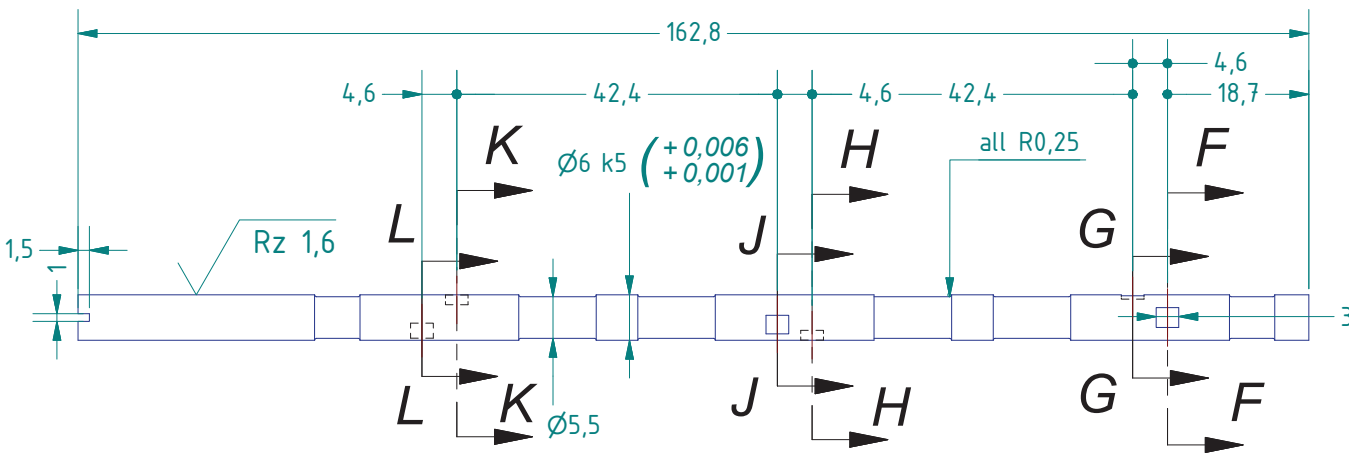
7  
A4

The information contained in this drawing is the sole property of Wolfgang Trötscher any reproduction in part or whole without the written permission of Wolfgang Trötscher is prohibited

A B C D E F G H

PARTS LIST

PART NUMBER	DESCRIPTION	MATERIAL	MASS
2727-V6_CamShaft_L	Cam shaft, Left side	Steel, Carbon	34,131 g



Cam shaft, Left side    Inlet cam    Outlet Cam

	Date	Name
Drawn	24.10.2018	Wolfgang
Checked		
Standard		

**WT2727-V6-OHC**

**WTENGINES**  
www.wtengines.com

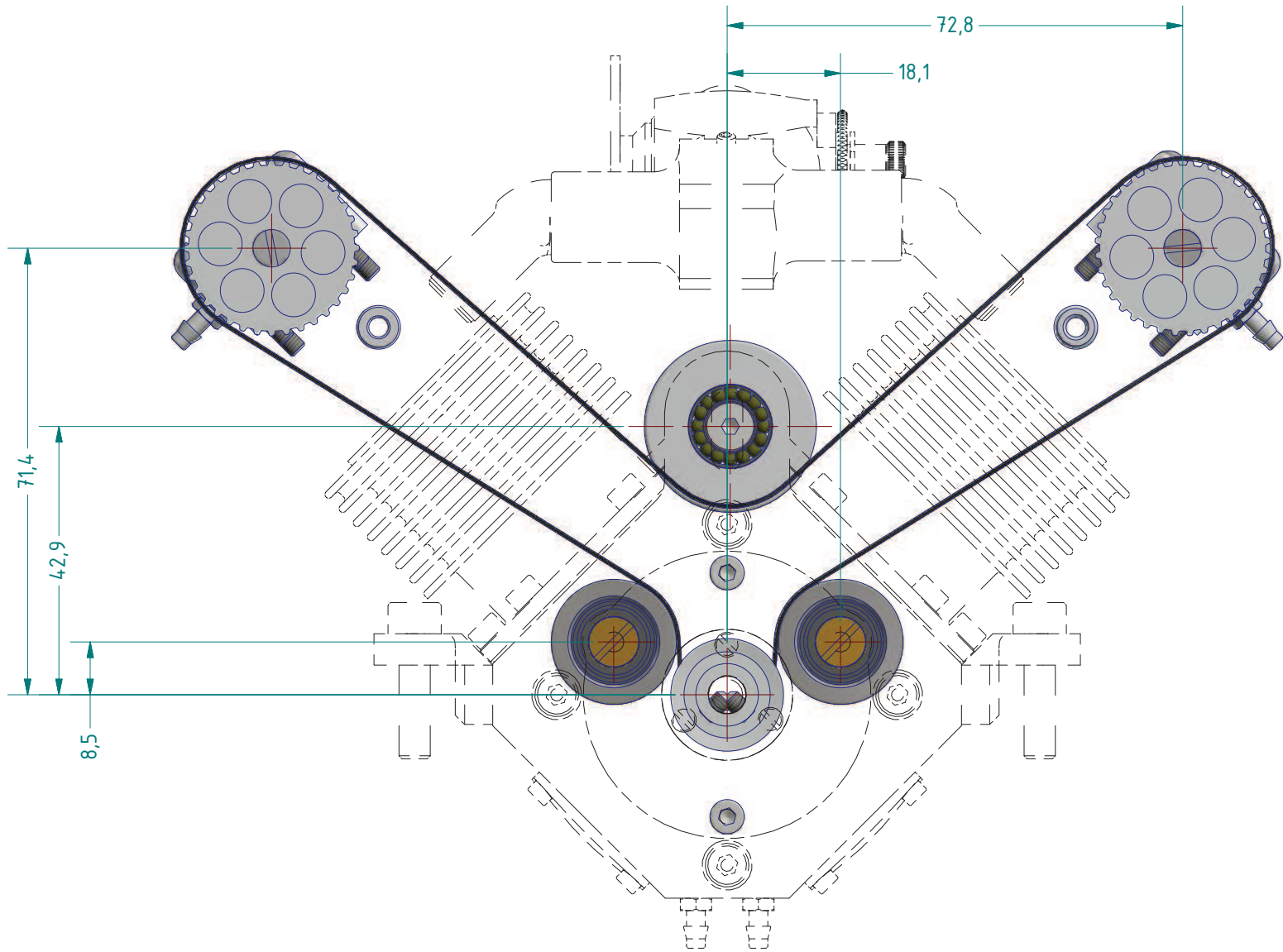
Cam shaft, Left side

9  
A4

The information contained in this drawing is the sole property of Wolfgang Trötscher any reproduction in part or whole without the written permission of Wolfgang Trötscher is prohibited

A B C D E F G H

1  
2  
3  
4  
5  
6



	Date	Name
Drawn	24.10.2018	Wolfgang
Checked		
Standard		

**WT2727-V6-OHC**

**WTENGINES**  
www.wtengines.com

Assembly

3  
A4

The information contained in this drawing is the sole property of Wolfgang Trötscher any reproduction in part or whole without the written permission of Wolfgang Trötscher is prohibited