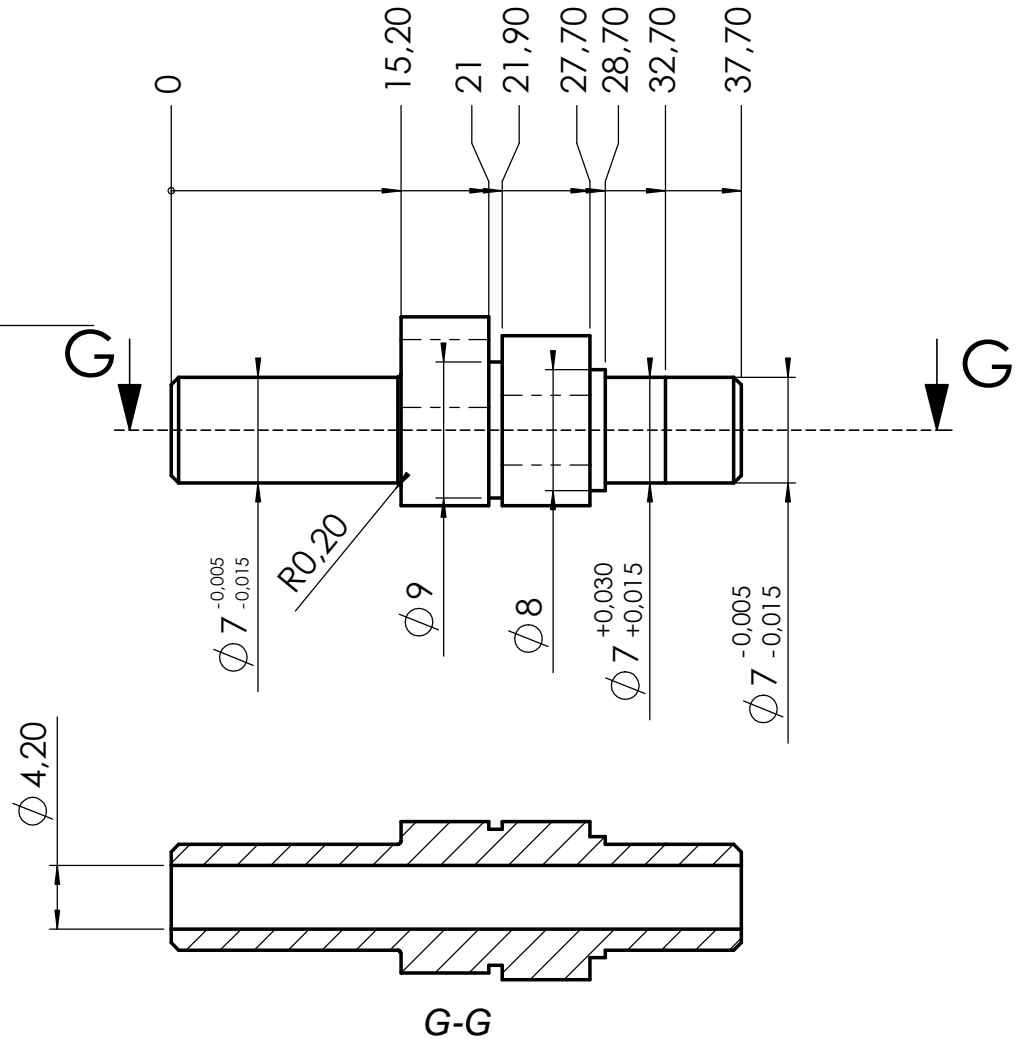
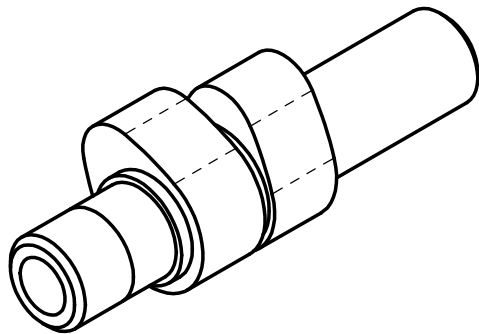
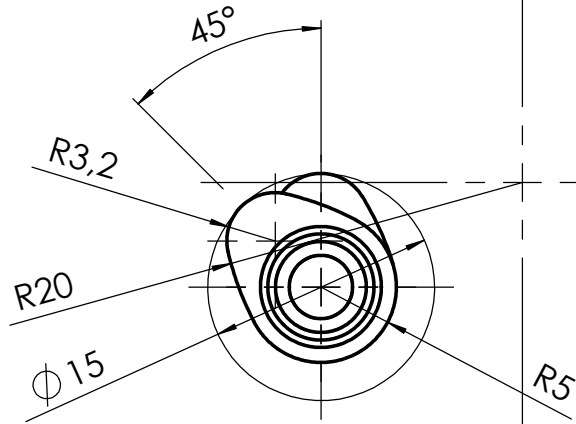


Beide Nocken haben identische Geometrie
Both cam have identical layout



Allgemeintoleranzen / General tolerances
ISO 2768-1m

| | | Approvals | Date |
|--|-----|-----------|----------|
| Drawn | WTr | | 10.10.04 |
| Checked | | | |
| Qual Eng | | | |
| DO NOT SCALE DRAWING | | | |
| Wolfgang Trötscher, Granåsen 5, N-3478 Naersnes, Norway Tel. +47 3128 0834, wolfgang@trotscher.com http://wtengines.hobby-site.com | | | |

WT2527-V2

**Nockenwelle
Cam shaft**

WT ENGINES

Blatt/
Page 4-4
Revison 0.0

Katalog / File: C:\Mine Do.....\WT2527-V2

Massstab / Scale: 2:1